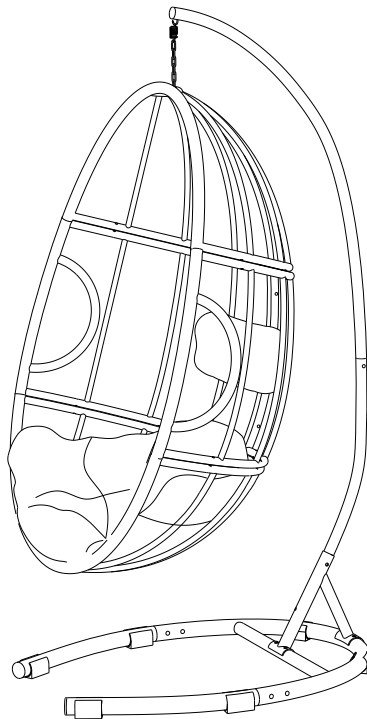
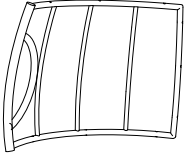
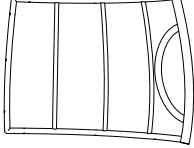
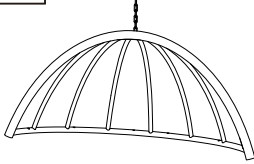
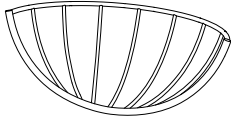
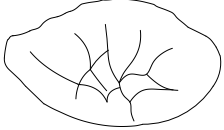






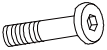



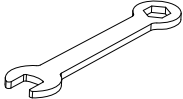
Outdoor Wicker Hanging Egg Chair
CO7270



PART LIST

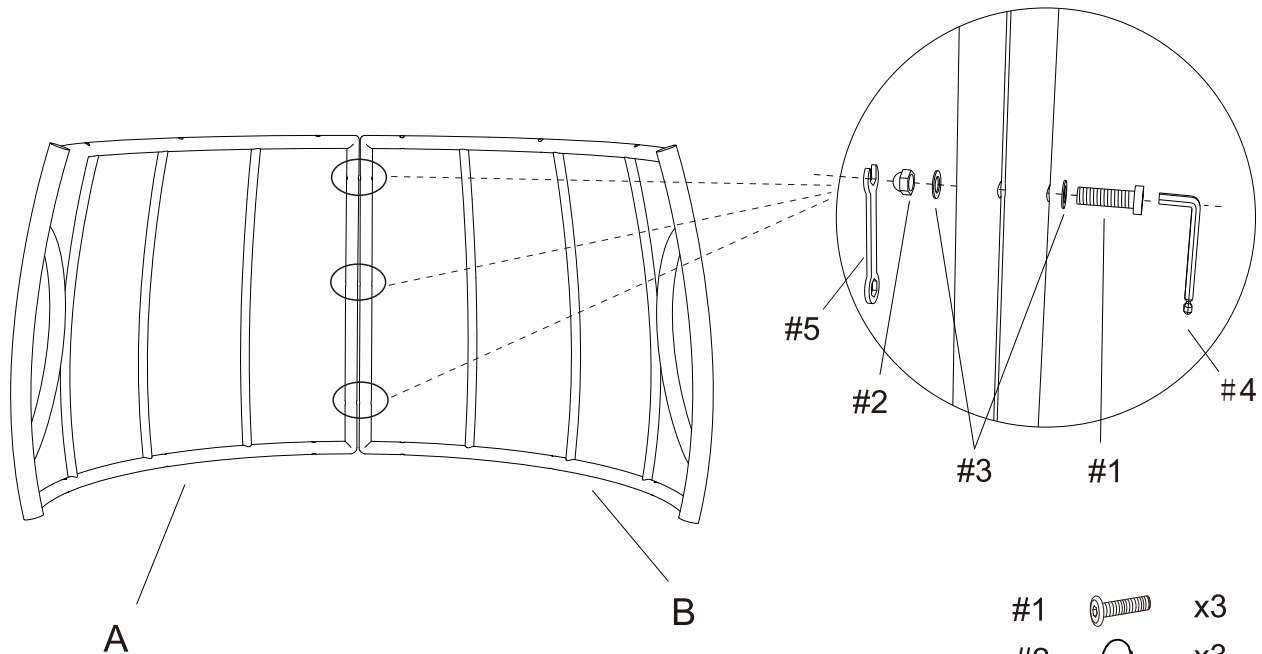
<p>A</p> 	<p>B</p> 	<p>C</p> 	<p>D</p> 	<p>E</p> 
<p>Left Panel 1 PC</p>	<p>Right Panel 1 PC</p>	<p>Top Panel 1 PC</p>	<p>Bottom Panel 1 PC</p>	<p>Seat Cushion 1 PC</p>
<p>F</p> 	<p>G</p> 			
<p>Head Pillow 1 PC</p>	<p>Strap 1 PC</p>			






HARDWARE LIST

<p>#1</p>  <p>M6*45mm</p>	<p>#2</p>  <p>M6mm</p>	<p>#3</p>  <p>M6mm</p>	<p>#4</p>  <p>M6mm</p>	<p>#5</p>  <p>M6mm</p>
<p>Bolt 15 PCS (Extra1)</p>	<p>Nut 15 PCS (Extra1)</p>	<p>Flat Washer 30 PCS (Extra2)</p>	<p>Allen Wrench 1 PC</p>	<p>Wrench 1 PC</p>

Step 1. Lay panels (parts A & B) upside down on a soft flat surface, such as carpet, as shown below. Attach left panel (part A) and right panel (part B) using bolts (part #1), flat washers (part #3), nuts (part #2), allen wrench (part #4) and wrench (part #5).

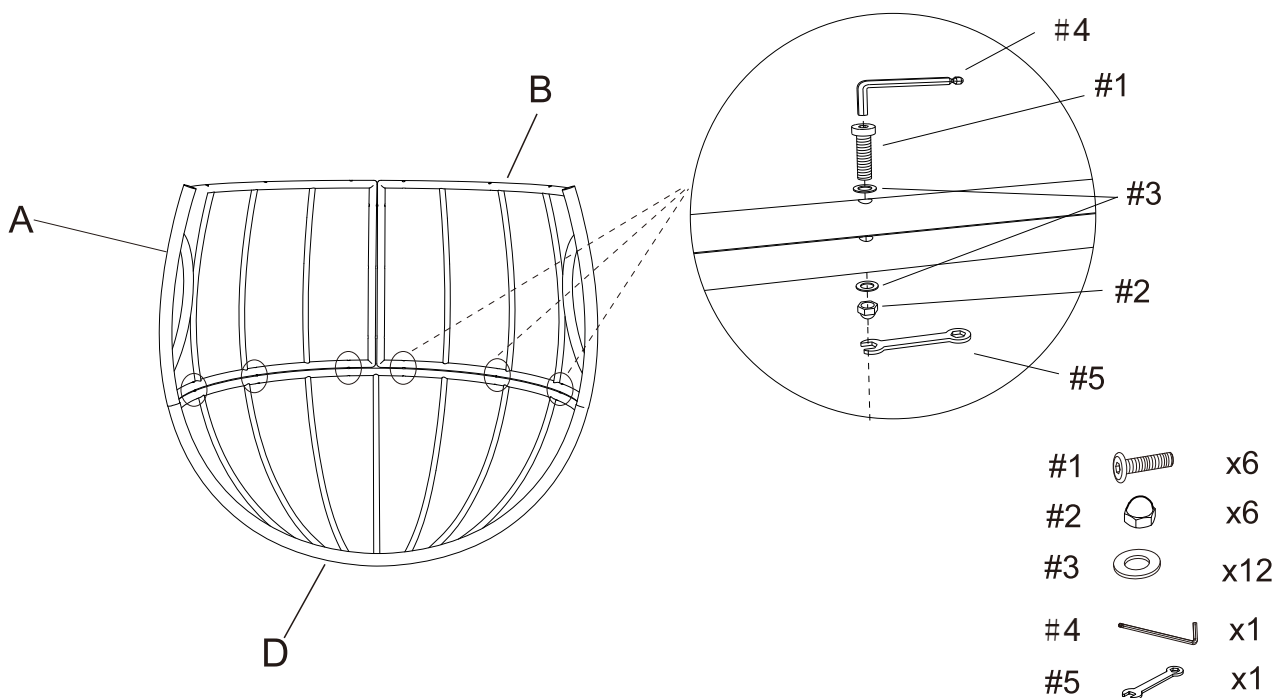
NOTE: Please do not fully tighten bolts until unit is fully assembled.








- | | | |
|----|---|----|
| #1 |  | x3 |
| #2 |  | x3 |
| #3 |  | x6 |
| #4 |  | x1 |
| #5 |  | x1 |

Step 2. Attach bottom panel (part D) to panels (parts A & B) using bolts (part #1), flat washers (part #3), nuts (part #2), allen wrench (part #4) and wrench (part #5).

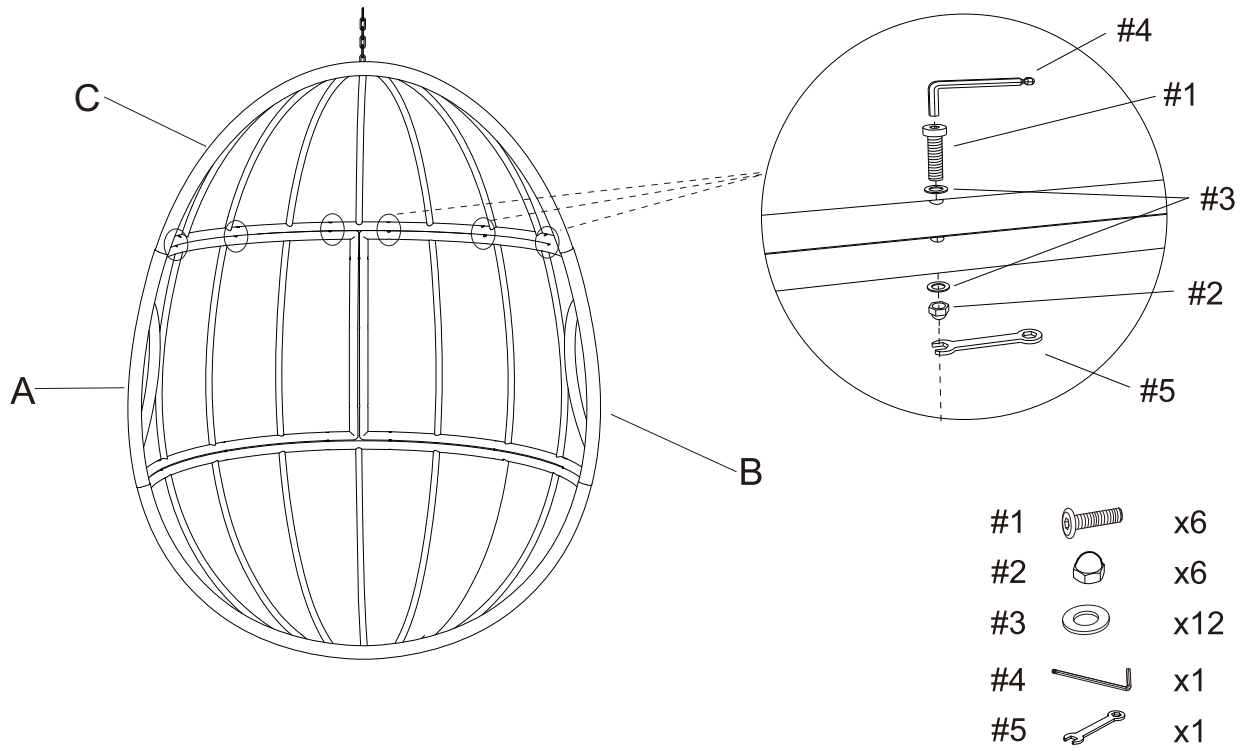
NOTE: Please do not fully tighten bolts until unit is fully assembled.



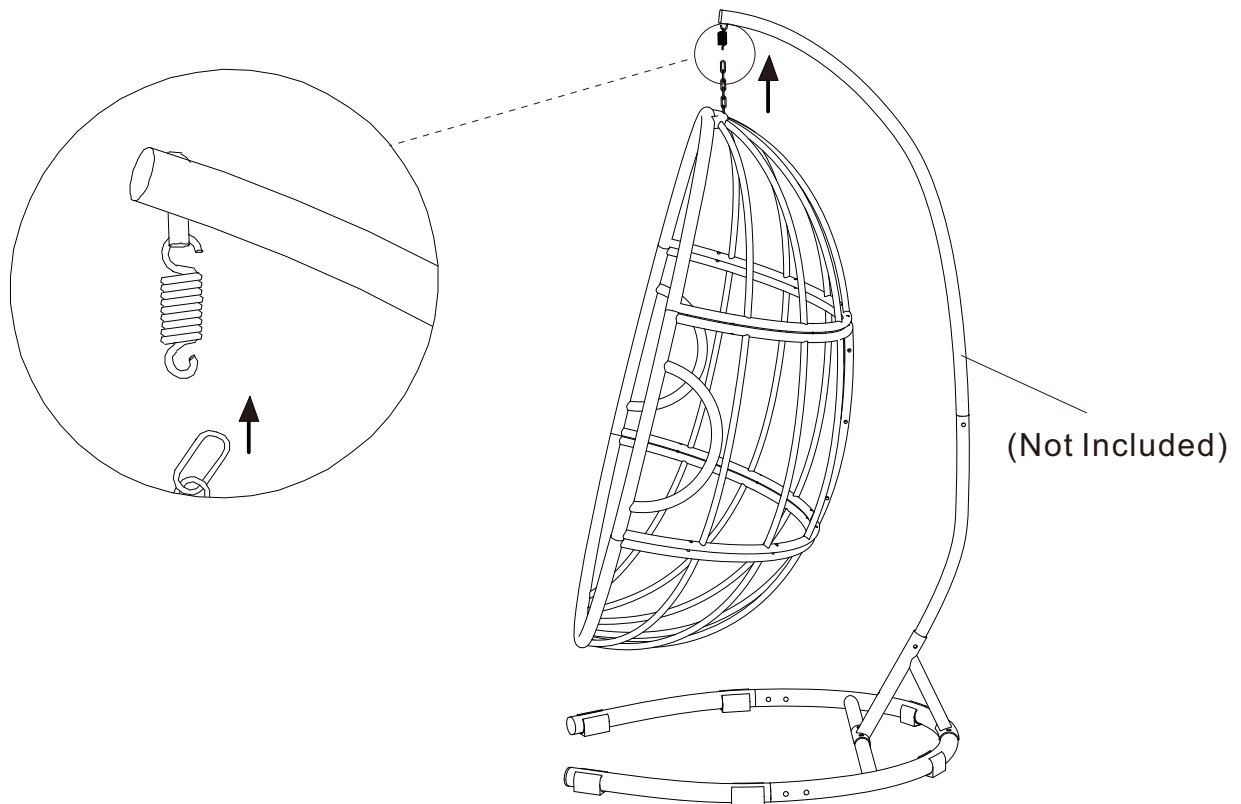
- | | | |
|----|---|-----|
| #1 |  | x6 |
| #2 |  | x6 |
| #3 |  | x12 |
| #4 |  | x1 |
| #5 |  | x1 |

Step 3. Attach top panel (part C) to panels (parts A & B) using bolts (part #1), flat washers (part #3), nuts (part #2), allen wrench (part #4) and wrench (part #5).

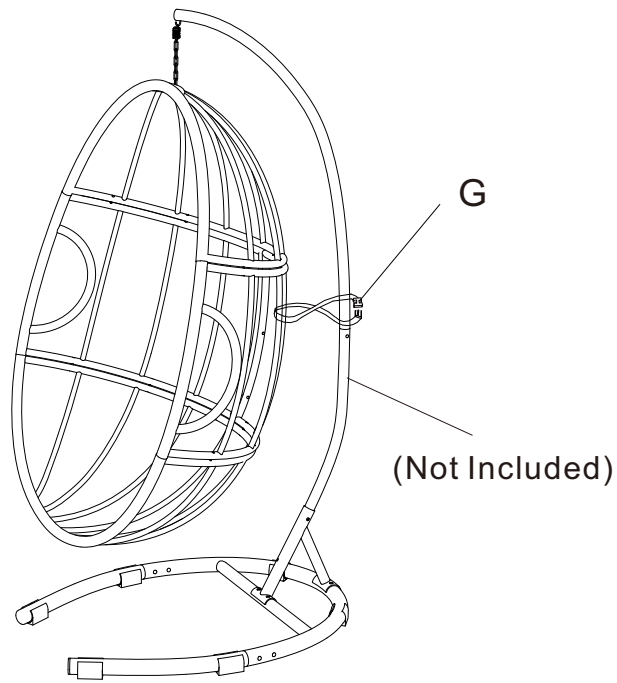
NOTE: Please fully tighten all bolts at this time.



Step 4. Carefully hang chair to the stand.



Step 5. Connect chair and stand using strap (part G).



Step 6. Place seat cushion (part E) and head pillow (part F) as shown below.

